

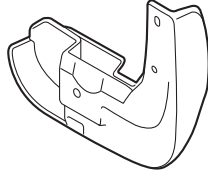


INSTALLATION INSTRUCTIONS

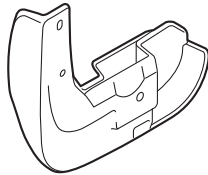
Accessory SPLASH GUARDS P/N 08P00-TS8-100B	Application 2014 CIVIC 2-DOOR	Publications No. All 50714-50853
		Issue Date JAN 2014

PARTS LIST

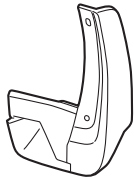
Left front splash guard



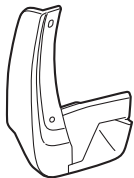
Right front splash guard



Left rear splash guard



Right rear splash guard



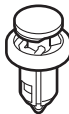
10 Self-tapping screws



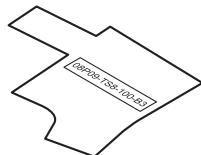
2 Spring nuts



2 Clips



Template



TOOLS AND SUPPLIES REQUIRED

- Phillips screwdriver
- Stubby Phillips screwdriver
- Pushpin
- Masking tape
- Felt-tip pen
- Utility knife
- File
- Torque wrench
- High-quality paste wax

The following tool is available through the Honda Tool and Equipment Program. On the iN, click on: Service > Service Bay > Tool and Equipment Program, then enter the number under "Search". Or, call 888-424-6857.

- Trim Tool Set (T/N SOJATP2014)

INSTALLATION

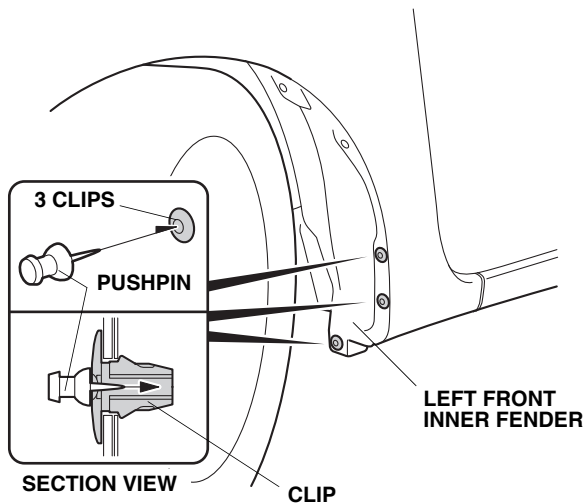
Customer Information: The information in this installation instruction is intended for use only by skilled technicians who have the proper tools, equipment, and training to correctly and safely add equipment to your vehicle. These procedures should not be attempted by "do-it-yourselfers."

NOTE:

- Be careful not to damage the paint finish.
- These instructions show the left splash guards being installed. The same procedure applies to installing the right splash guards.
- Clean and wax the areas to be covered with a high-quality paste wax.

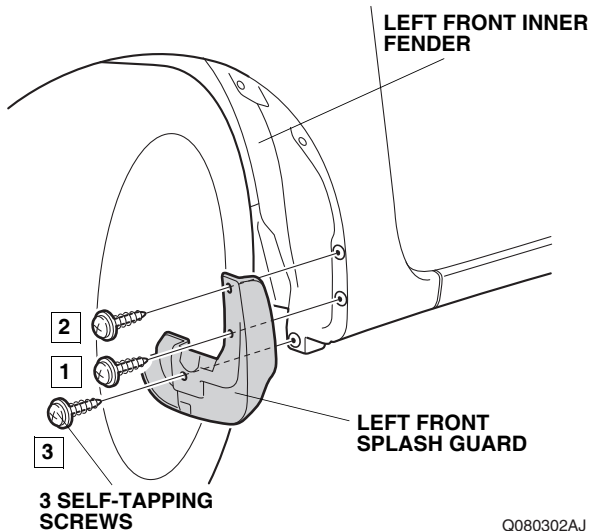
Installing the Front Splash Guards

1. Turn the steering wheel fully counterclockwise.



Q080301BJ

2. Using a pushpin, pierce the centers of the three clips shown on the left front inner fender.
3. Secure the left front splash guard with three self-tapping screws in the order shown below.
NOTE: Make sure there is no gap between the left front splash guard and the vehicle body. If there is a gap, loosen the self-tapping screws, hold the splash guard against the body, and retighten the screws.

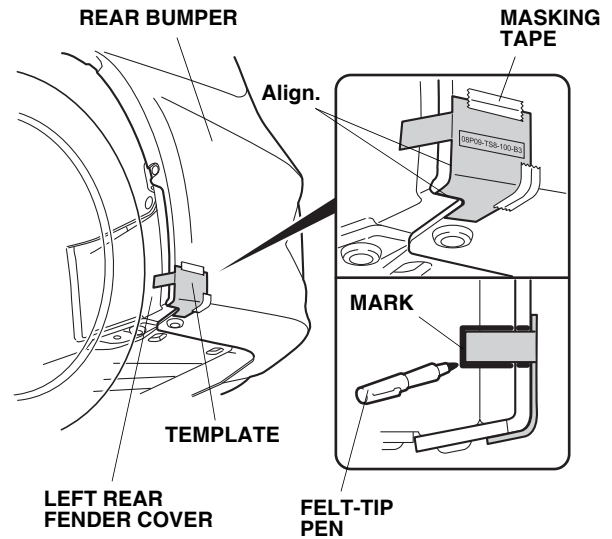


Q080302AJ

4. Turn the steering wheel fully clockwise, and repeat steps 2 and 3 to install the right front splash guard on the right side of the vehicle.

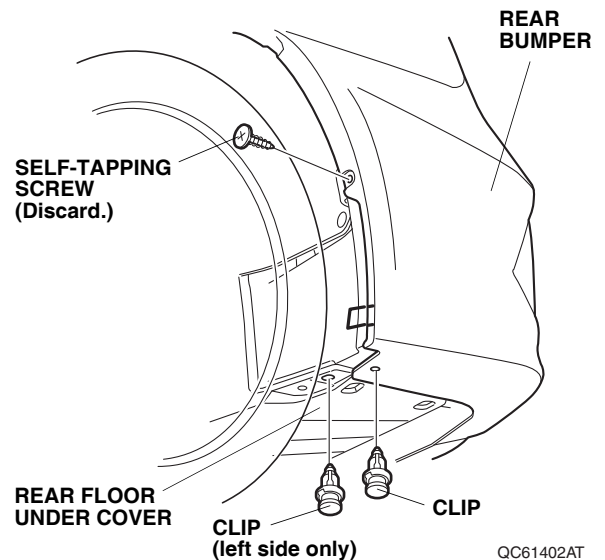
Installing the Rear Splash Guards

5. Align template with the rear bumper, and attach template using strips of masking tape.



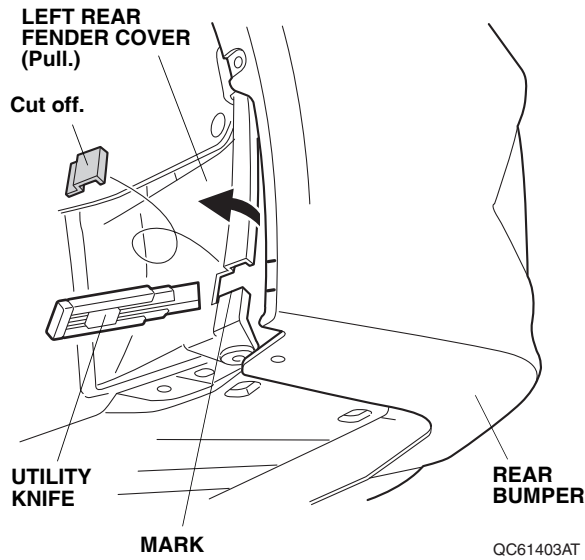
QC61401AT

6. Using a felt-tip pen, mark the rear bumper and the left rear fender cover as shown.
7. Remove template.
NOTE: Do not damage the template. It is also used on the right side of the vehicle.
8. Remove one self-tapping screw and two clips from the rear bumper and the rear floor under cover.

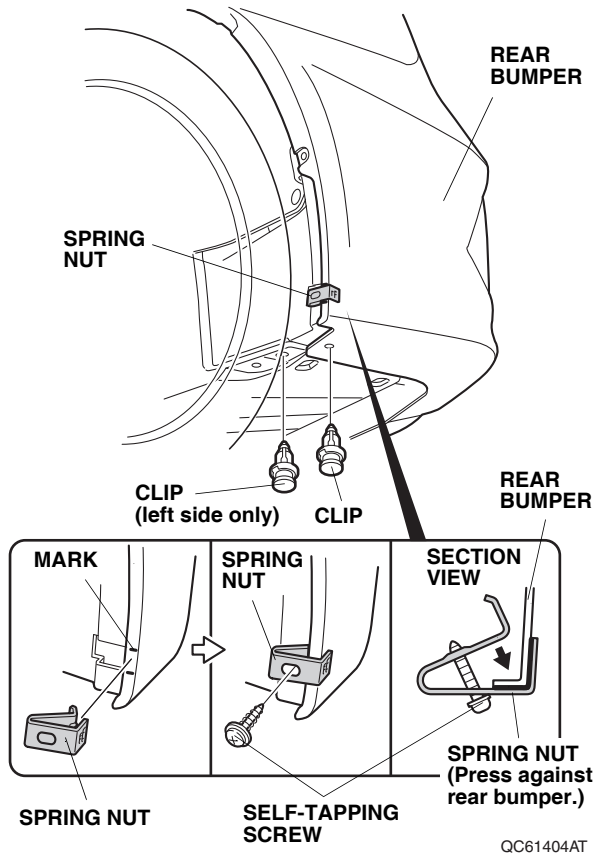


QC61402AT

- Using a utility knife, cut the left rear fender cover as shown.



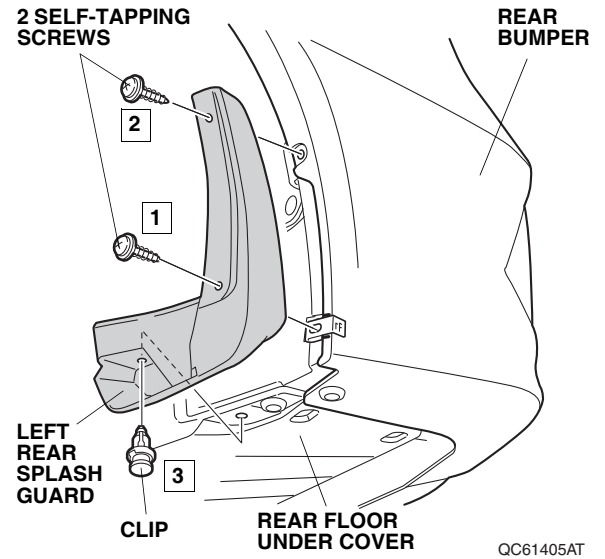
- Using a file, remove any burrs from the edge.
- Adjusting with marks, install one spring nut with one self-tapping screw. Torque the screw to 0.9 N·m (0.09 kgf·m, 0.7 lbf·ft). Remove the screw.



- Reinstall two clips.

- Secure the left rear splash guard with two self-tapping screws and one clip in the order shown below.

NOTE: Make sure there is no gap between the left rear splash guard and the vehicle body. If there is a gap, loosen the self-tapping screws, hold the splash guard against the body, and retighten the screws.



- Turn the template over, and repeat steps 5 through 13 to install the right rear splash guard on the right side of the vehicle.